

SL-3

High Speed and Volume!

Our SL-3 is specifically designed for impounders and repossessioners. The low profile scoops allow for picking up any vehicles. The 90° swivel allows for grabbing parallel parked vehicles easily. If speed and volume is what you need, the SL-3 is for you!



Standard features

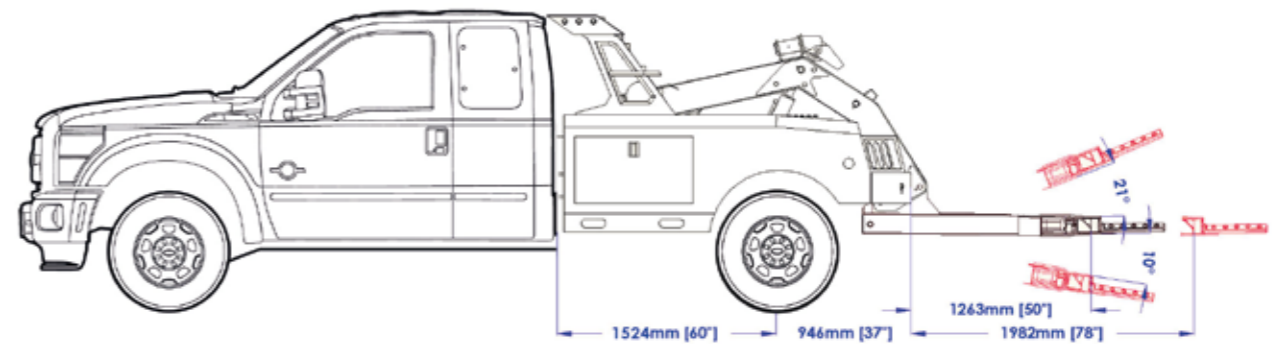
- 1524 mm (60") Cab to Axle steel body
- 3.6 ton (8,000 lbs) winch
- Auto load wheel lift system
- Driver and passenger side manual controls
- Safety chains

Options

- Tunnel box 610 mm (24")
- Dollies
- Extra 3.6 ton (8,000 lbs) winch
- Remote control
- In cab controls
- Custom paint in 2 or more colors
- Extra tools (snatch blocks, chains, straps, hooks)
- Motorcycle attachment
- Tire spacers for flat tires
- Aluminum body
- LED working lights
- LED strobe lights
- LED lights inside toolbox
- Installation services and extended warranty
- Tow operators education & training



Designed in Canada



NOTE: Axle configuration is subject to local laws and regulations. All information in this document is for references only. Optional configuration might be shown.

Advantages

- Quick load system
- Easy 90° pick-up for parallel parked vehicles
- Low profile boom allows easy underground parking recoveries
- Ideal for high volume and repo towing
- 2 ton (4,000 lbs) actual capacity lets you work with light duty vehicles
- New look will turn heads!

Notes:

- Some optional equipment may be shown.
- All ratings are based on structural and design factors only. Vehicle chassis capacity and capabilities can vary significantly, affecting the overall performance and rating of the unit. All chassis specifications are minimums, heavier specifications may be required depending on chassis and equipment weights. Please contact your nearest distributor for additional information.

Metro Tow Trucks Co. reserves the right to change, improve or modify products, which may change the specifications, models and features availability at any time without notice and without obligation. Please contact your nearest distributor for additional information.

© 2013 Metro Tow Trucks. All rights reserved. This material may not be reproduced, displayed, modified or distributed without the express prior written permission of the copyright holder. For permission, contact Sales@MetroTowTrucks.com

Underlift Specifications

Retracted capacity on scoops	2.7 ton (6,000 lbs)
Retracted distance to the scoops	1263 mm (50")
Extended capacity on scoops	1.8 ton (4,000 lbs)
Extended distance to the scoops	1982 mm (78")
Negative tilt angle	-10°
Tow Rating	3.4 ton (7,500 lbs)

Boom Specifications

Capacity (at 21°)	5 ton (11,000 lbs)
-------------------	---------------------------

Vehicle Recommendations

Front axle(s) weight (min)	1.5 ton (3,300 lbs)
Rear axle(s) weight (min)	3 ton (6,600 lbs)
Recommened GVW	6.5 ton (14,500 lbs)
Clear CA	1524 mm (60")

Winch Specifications

Quantity	1 pcs
Pulling force (on 1st layer)	3.6 ton (8,000 lbs)
Winch type	Worm gear
Cable length	10 mm x 30 m (3/8" x 100')