

RTR-70

Recovery King

RTR-70 is Metro Tow Trucks' largest rotator. Designed for extreme recovery operations, this rotator is capable of handling anything that you throw at it. The RTR-70 will distinguish you from the competition when trying to secure contracts or pulling up to an accident scene.



Standard features

- 5181 mm (204") Cab to centre of tandem standard steel body
- 2 x 30 ton (66,000 lbs) winches
- 1 set of frame fork holders and 4 sets of frame forks
- Frame fork and chain racks
- Safety chains
- Chrome door handles
- Driver side manual controls
- Air and 12V/24V outputs
- Non slide configuration

Options

- Complete wireless remote control
- Proportional remote control
- Slide configuration
- 2 additional 20 ton (44,000 lbs) winches
- 609 mm (24"), 762 mm (30"), 914 mm (36"), 1219 mm (48"), 1828 mm (72") tunnel box
- Tailboard controls
- Extra frame forks
- Wheel lift receivers for single/double tire
- Full recovery tool package
- Custom storage system
- Aluminum or composite body
- European body style
- Durable Undercoating finish
- Front push bumper
- Front winch and Drag winch
- XP, X-shape side puller
- A-arm style side winches
- Steel core rope
- Chrome hand rails
- In cab controls
- Full size LED light bar and strobe lights
- LED working lights and lights inside the toolbox
- Custom paint
- Installation services and extended warranty
- Tow operators education & training



Designed in Canada



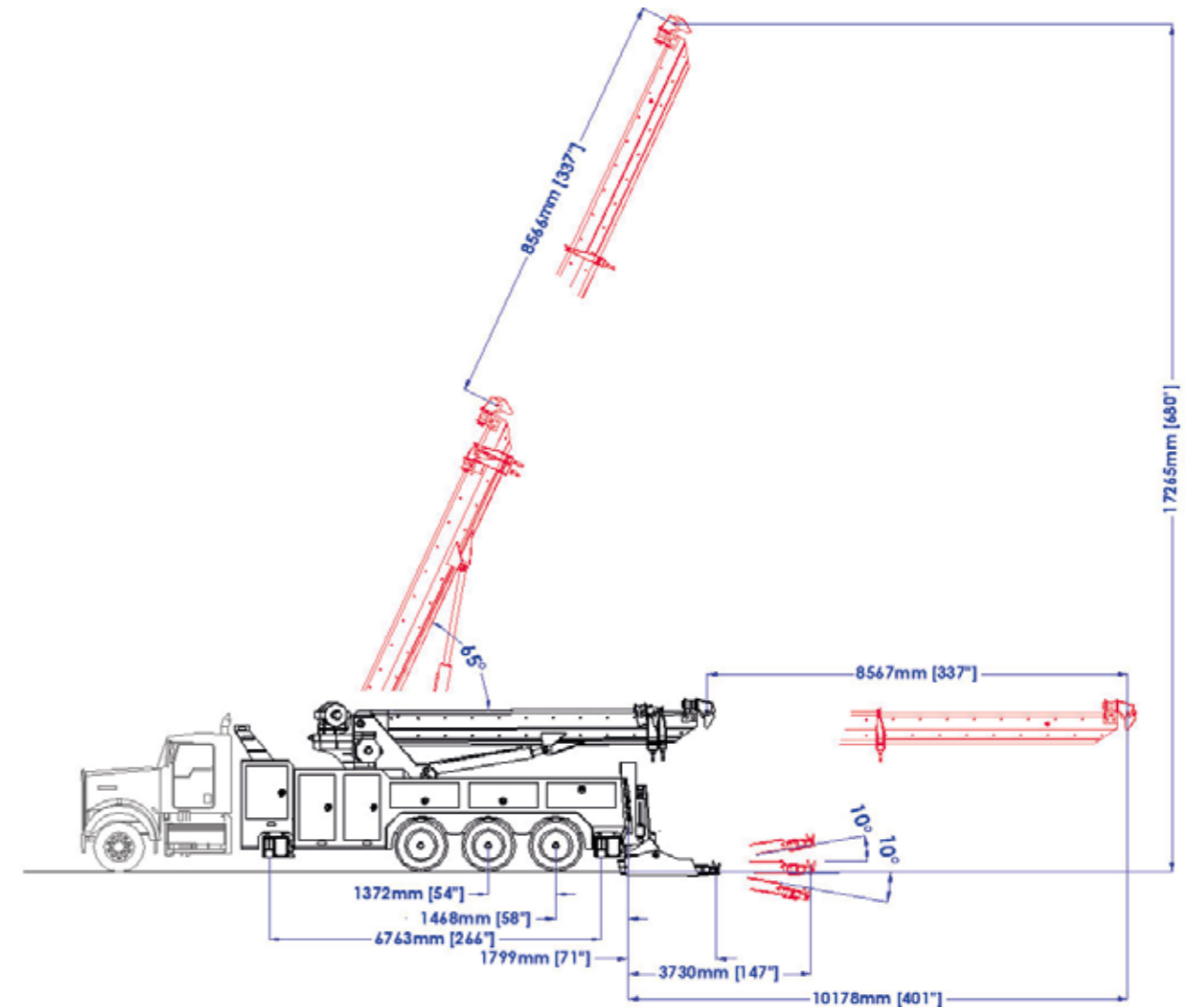
3 stage boom on 17.2 meters (680") height capacity (at 65°) - 17.5 ton (38,580 lbs)

Underlift capacity at full extension is 10.4 ton (23,000 lbs)

H-shape outriggers with 7.1 meters (283") spread

Advantages

- 70 ton (154,300 lbs) actual capacity of the boom allows you to pick up any load
- Sliding boom (optional), combined with a rotating motion allows you to do any operation with the load
- Continuous 360° motion from side to side with a load
- The ability to extend your reach using sliding version (Optional)
- Standard H-shape outriggers supporting system
- Work with a load at a safe distance



NOTE: Axle configuration is subject to local laws and regulations. All information in this document is for references only. Optional configuration may be shown.

Underlift Specifications / * Euro Option

Retracted capacity on forks	31,7 ton (70,000 lbs) / * same
Retracted distance to the forks	1799 mm (71") / * same
Extended capacity on forks	10,4 ton (23,000 lbs) / * same
Extended distance to the forks	3730 mm (147") / * 3810 mm (150")
Negative tilt angle	-10°
Tow Rating (Based on Chassis)	36 ton (80,000 lbs)

Vehicle Recommendations

Front axle(s) weight (min)	9 ton (20,000 lbs)
Rear axle(s) weight (min)	9 ton (20,000 lbs) + 3 x 10.4 ton (23,000 lbs)
Recommended Tire size	R24.5
Clear CB	5181 mm (204")

Boom Specifications

Retracted capacity (at 65°)	70 ton (154,300 lbs)
Extended capacity (at 65°)	17.5 ton (38,500 lbs)
Maximum Lift angle	65°
Maximum Hook Height	17265 mm (680")
Reach Past Tailboard	9423 mm (371")

Winch Specifications

Quantity	2 pcs + 2 optional
Pulling force (on 1st layer)	30 ton (66,000 lbs) & optional 20 ton (44,000 lbs)
Winch type	Planetary
Cable specs	25 mm x 60 m (1" x 200') optional 19 mm x 60 m (3/4" x 200')

Notes:

- Some optional equipment may be shown.
- All ratings are based on structural and design factors only. Vehicle chassis capacity and capabilities can vary significantly, affecting the overall performance and rating of the unit. All chassis specifications are minimums, heavier specifications may be required depending on chassis and equipment weights. Please contact your nearest distributor for additional information.

Metro Tow Trucks Co. reserves the right to change, improve or modify product, which may change the specifications, models and feature availability at any without notice and without obligation. Please contact your nearest distributor for additional information.

© 2013 Metro Tow Trucks. All rights reserved. This material may not be reproduced, displayed, modified or distributed without the express prior written permission of the copyright holder. For permission, contact Sales@MetroTowTrucks.com