

RTR-50

Practicality and Versatility

Metro's versatile RTR-50, designed for heavy duty, reaches the perfect balance between size and capacity. With the 360° continuous motion and the sliding option this unit can reach and lift in any situation you will encounter.



Standard features

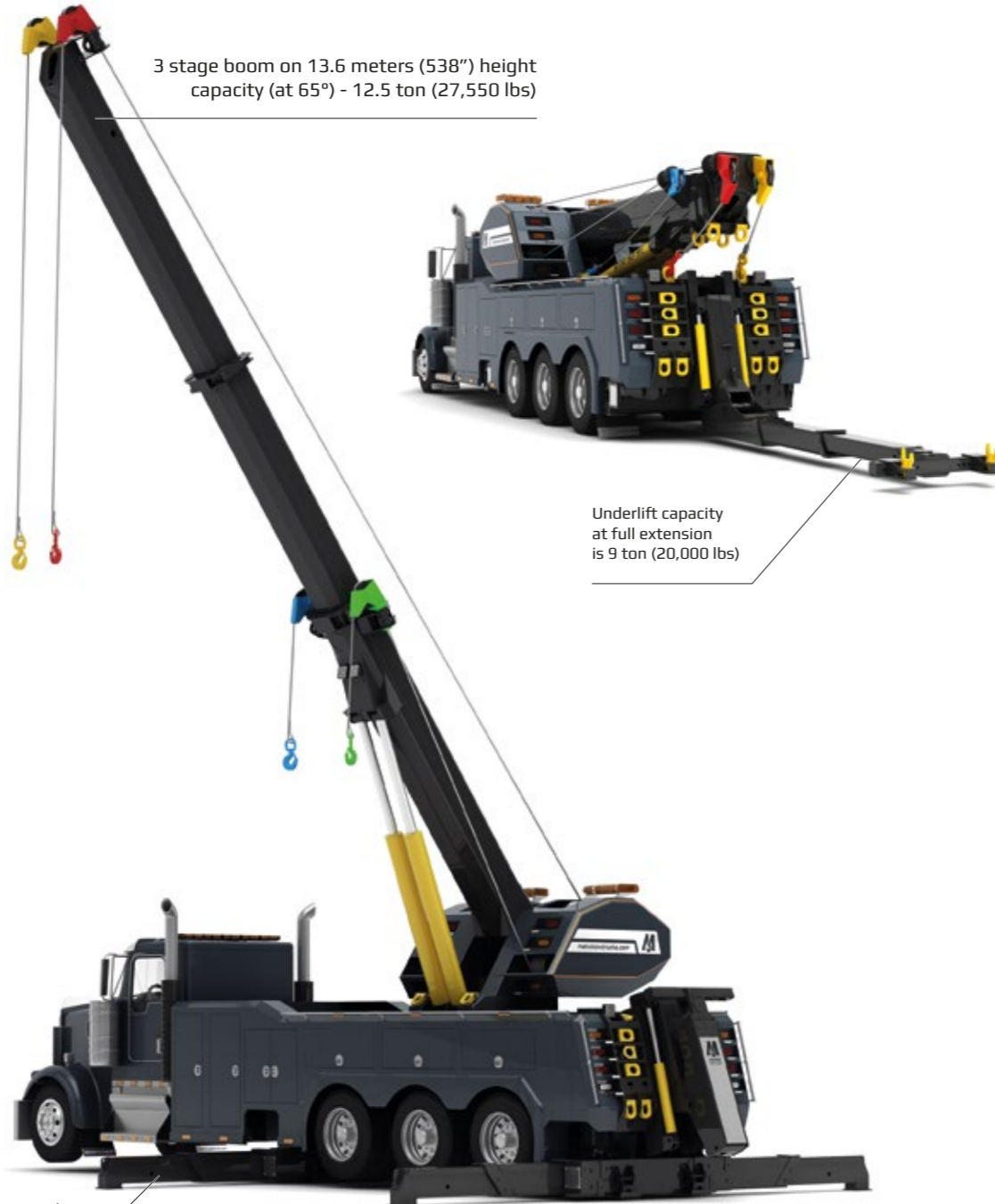
- 5181 mm (204") Cab to centre of tandem standard steel body
- 2 x 25 ton (55,000 lbs) winches
- 1 set of frame fork holders and 4 sets of frame forks
- Safety chains
- Frame fork and chain racks
- Chrome door handles
- Driver side manual controls
- Air and 12V/24V outputs
- Non slide configuration

Options

- Complete wireless remote control
- Proportional remote control
- Slide configuration
- 2 additional 20 ton (44,000 lbs) winches
- 609 mm (24"), 762 mm (30"), 914 mm (36"), 1219 mm (48"), 1828 mm (72") tunnel box
- Tailboard controls
- Extra frame forks
- Wheel lift receivers for single/double tire
- Full recovery tool package
- Custom storage system
- Aluminum or composite body
- European body style
- Gravel guard undercoating finish
- Front push bumper
- Front winch and Drag winch
- XP, X-shape side puller
- A-arm style side winches
- Steel core rope
- Chrome hand rails
- In cab controls
- Full size LED light bar and strobe lights
- LED working lights and lights inside the toolbox
- Custom paint
- Installation services and extended warranty
- Tow operators education & training



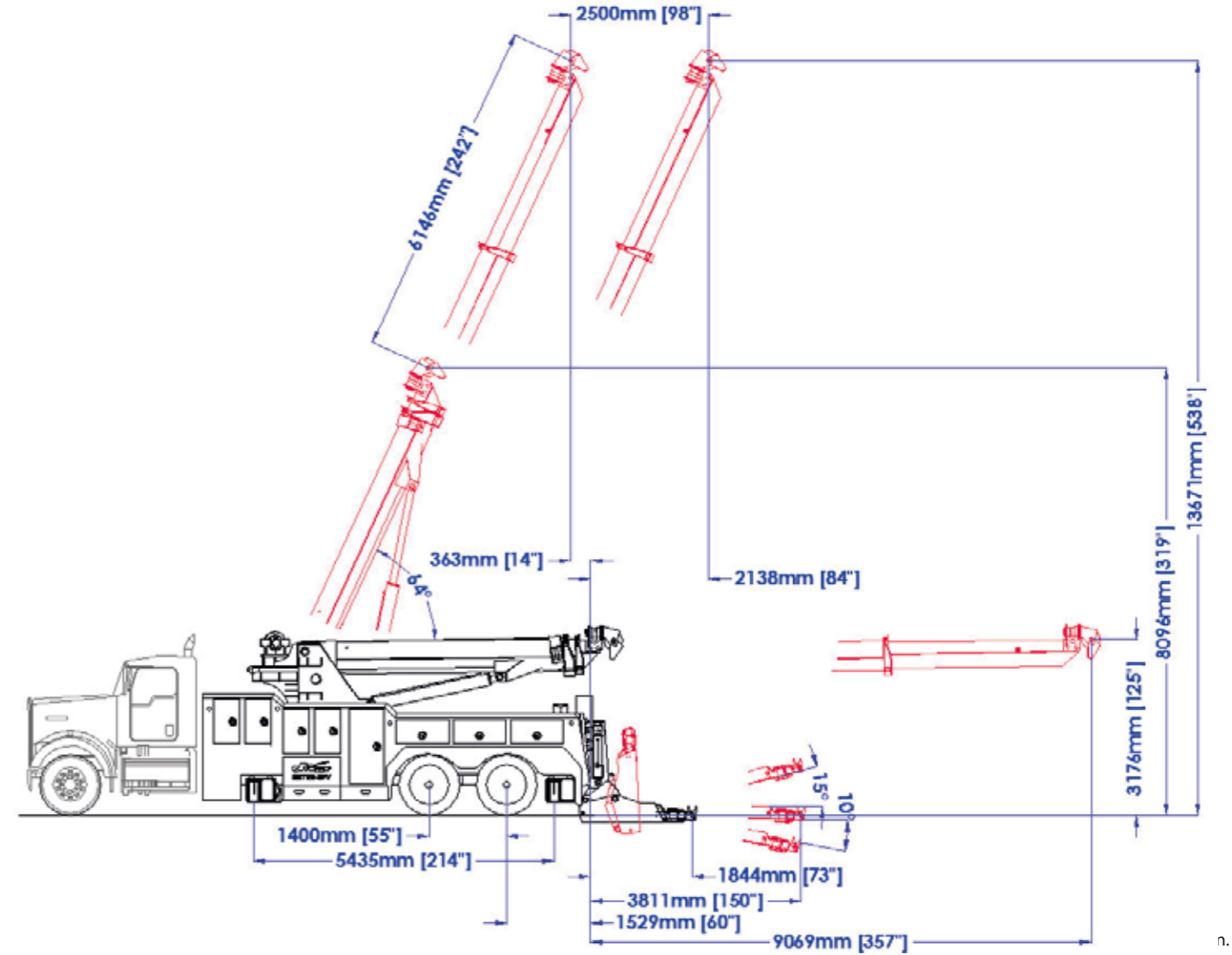
Designed in Canada



H-shape outriggers with 7.1 meters (283") spread

Advantages

- 50 ton (110,200 lbs) actual capacity of the boom allows you to pick up any load
- Sliding boom (optional), combined with a rotating motion allows you to do any operation with the load
- Continuous 360° motion from side to side with a load
- The ability to extend your reach using sliding version (Optional)
- Standard H-shape outriggers supporting system
- Work with a load at a safe distance



Underlift Specifications / * Euro Option

| | |
|---------------------------------|--|
| Retracted capacity on forks | 22.5 ton (50,000 lbs) / * same |
| Retracted distance to the forks | 1844 mm (73") / * same |
| Extended capacity on forks | 9 ton (20,000 lbs) / * same |
| Extended distance to the forks | 3454 mm (136") / * 3811 mm (150") |
| Negative tilt angle | -10° |
| Tow Rating (Based on Chassis) | 36 ton (80,000 lbs) |

Vehicle Recommendations

| | |
|----------------------------|---|
| Front axle(s) weight (min) | 9 ton (20,000 lbs) |
| Rear axle(s) weight (min) | 9 ton (20,000 lbs) + 2 x 10.4 ton (23,000 lbs) |
| Recommended Tire size | R24.5 |
| Clear CB | 5181 mm (204") |

Boom Specifications

| | |
|-----------------------------|-------------------------------------|
| Retracted capacity (at 65°) | 50 ton (110,200 lbs) |
| Extended capacity (at 65°) | 12.5 ton (27,550 lbs) |
| Maximum Lift angle | 65° |
| Maximum Hook Height | 13671 mm (538") |
| Reach Past Tailboard | 9069 mm (357") Slider Option |

Winch Specifications

| | |
|------------------------------|---|
| Quantity | 2 pcs + 2 optional |
| Pulling force (on 1st layer) | 25 ton (55,000 lbs) & optional 20 ton (44,000 lbs) |
| Winch type | Planetary |
| Cable specs | 22 mm x 60 m (7/8" x 200') optional 19 mm x 60 m (3/4" x 200') |

Notes:

- Some optional equipment may be shown.
- All ratings are based on structural and design factors only. Vehicle chassis capacity and capabilities can vary significantly, affecting the overall performance and rating of the unit. All chassis specifications are minimums, heavier specifications may be required depending on chassis and equipment weights. Please contact your nearest distributor for additional information.

Metro Tow Trucks Co. reserves the right to change, improve or modify products, which may change the specifications, models and features availability at any time without notice and without obligation. Please contact your nearest distributor for additional information.

© 2013 Metro Tow Trucks. All rights reserved. This material may not be reproduced, displayed, modified or distributed without the express prior written permission of the copyright holder. For permission, contact Sales@MetroTowTrucks.com