

RTR-35

Surprising Performance

The RTR-35 is Metro's smallest rotator, but it doesn't mean it is limited in its capabilities. This light rotator can pick up and rotate 7.3 ton (12,700 lbs.) at full extension. Meeting your budget and requirements. Metro is proud to produce this exceptional piece of equipment.



Standard features

- 4572 mm (180") Cab to centre of tandem standard steel body
- 2 x 20 ton (44,000 lbs) winches
- 1 set of frame fork holders and 4 sets of frame forks
- Safety chains
- Frame fork and chain racks
- Chrome door handles
- Driver side manual controls
- Air and 12V/24V outputs
- Non slide configuration

Options

- Complete wireless remote control
- Proportional remote control
- Slide configuration
- 2 additional 10 ton (22,000 lbs) winches
- 609 mm (24"), 762 mm (30"), 914 mm (36"), 1219 mm (48"), 1828 mm (72") tunnel box
- Tailboard controls
- Extra frame forks
- Wheel lift receivers for single/double tire
- Full recovery tool package
- Custom storage system
- Aluminum / Composite body
- European body style
- Gravel guard undercoating finish
- Front push bumper
- Front winch and Drag winch
- XP, X-shape side puller
- A-arm style side winches
- Steel core rope
- Chrome hand rails
- In cab controls
- Full size LED light bar and strobe lights
- LED working lights and lights inside the toolbox
- Custom paint
- Installation services and extended warranty
- Tow operators education & training



Designed in Canada



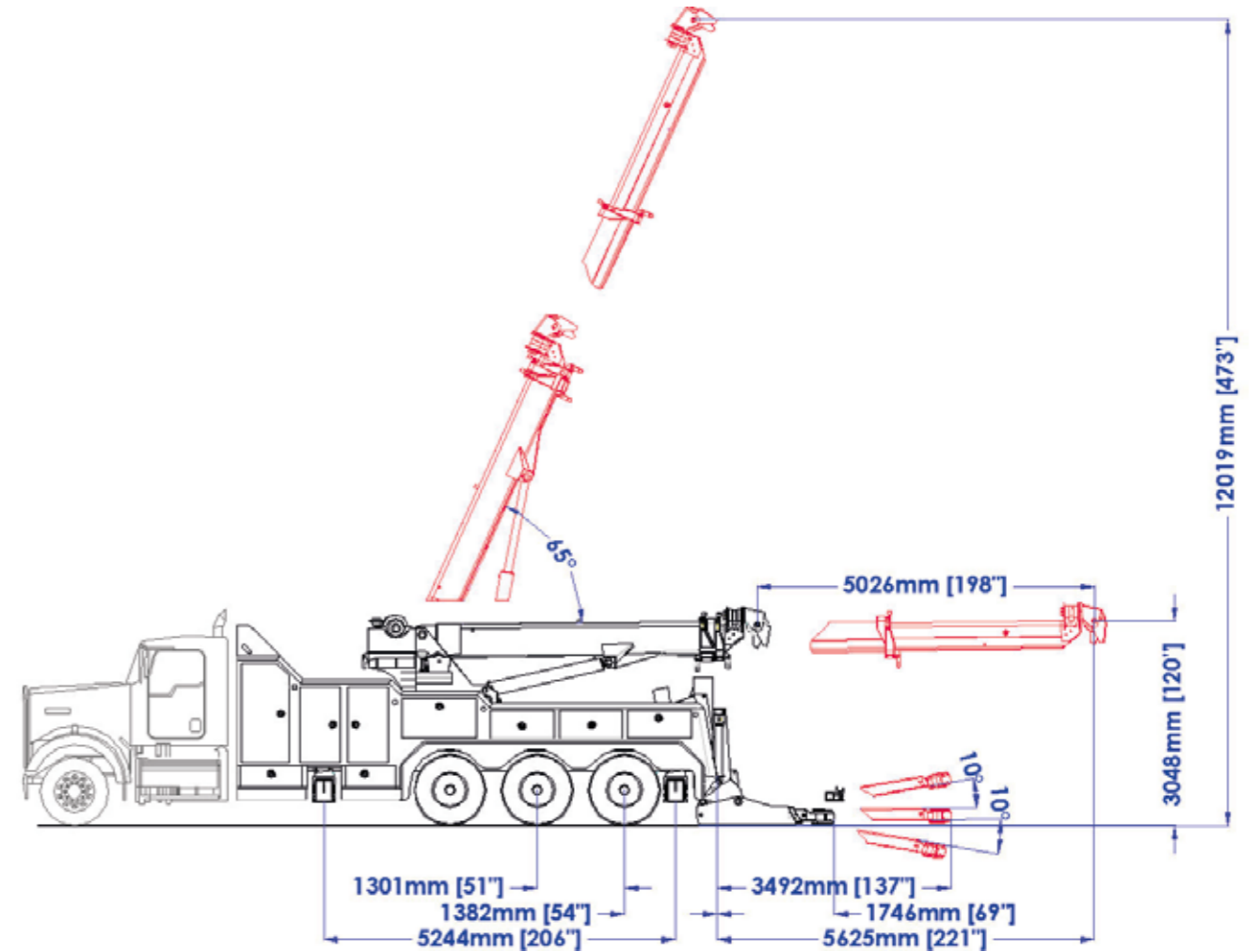
3 stage boom on 12 meters (473") height capacity (at 65°) - 17.5 ton (38,580 lbs)

Underlift capacity at full extension is 6.8 ton (15,000 lbs)

H-shape outriggers with 7.1 meters (283") spread

Advantages

- 35 ton (77,100 lbs) actual capacity of the boom allows you to pick up any load
- Sliding boom (optional), combined with a rotating motion allows you to do any operation with the load
- Continuous 360° motion from side to side with a load
- The ability to extend your reach using sliding version (Optional)
- Standard H-shape outriggers supporting system
- Work with a load at a safe distance



NOTE: Axle configuration is subject to local laws and regulations. All information in this document is for references only. Optional configuration may be shown.

Underlift Specifications / * Euro Option

Retracted capacity on forks	15.8 ton (35,000 lbs) / * same
Retracted distance to the forks	1746 mm (69") / * same
Extended capacity on forks	6.8 ton (15,000 lbs) / * same
Extended distance to the forks	3492 mm (137") / * 3657 mm (144")
Negative tilt angle	- 10°
Tow Rating (Based on Chassis)	36 ton (80,000 lbs)

Vehicle Recommendations

Front axle(s) weight (min)	9 ton (20,000 lbs)
Rear axle(s) weight (min)	2 x 10.4 ton (23,000 lbs)
Recommended Tire size	R24.5
Clear CB	4572 mm (180")

Boom Specifications

Retracted capacity (at 65°)	35 ton (77,100 lbs)
Extended capacity (at 65°)	8.5 ton (18,700 lbs)
Maximum Lift angle	65°
Maximum Hook Height	12019 mm (473")
Reach Past Tailboard	5625 mm (221")

Winch Specifications

Quantity	2 pcs + 2 optional
Pulling force (on 1st layer)	20 ton (44,000 lbs) & optional 10 ton (22,000 lbs)
Winch type	Planetary
Cable specs	19 mm x 60 m (3/4" x 200') optional 16 mm x 60 m (5/8" x 200')

Notes:

- Some optional equipment may be shown.
- All ratings are based on structural and design factors only. Vehicle chassis capacity and capabilities can vary significantly, affecting the overall performance and rating of the unit. All chassis specifications are minimums, heavier specifications may be required depending on chassis and equipment weights. Please contact your nearest distributor for additional information.

Metro Tow Trucks Co. reserves the right to change, improve or modify products, which may change the specifications, models and features availability at any time without notice and without obligation. Please contact your nearest distributor for additional information.

© 2013 Metro Tow Trucks. All rights reserved. This material may not be reproduced, displayed, modified or distributed without the express prior written permission of the copyright holder. For permission, contact Sales@MetroTowTrucks.com