



## Ultimate Economy

The FB-5 is our entry level unit but it's much more than that. With a strong 3.6 ton deck, you can carry a lot more than the usual 2 ton trucks. It is a great way to add units to your fleet at a low price. It will allow you to carry light duty trucks with ease.

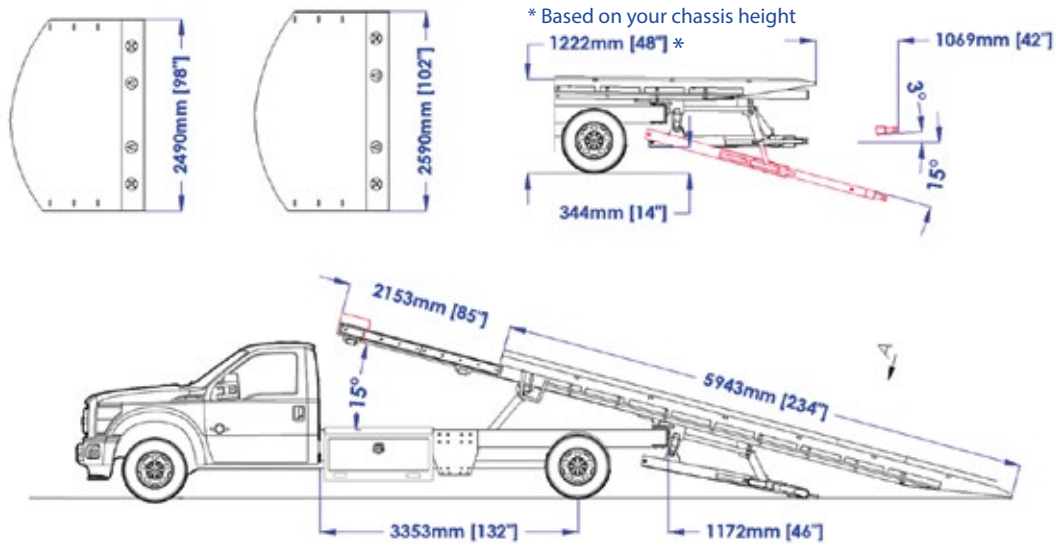
### Standard features

- Deck length of 5943 mm (19.5')
- Standard width of 2463 mm (97")
- One 914 mm (36") side toolbox
- Independent light pylon
- Chrome door handle
- Driver and passenger side manual controls
- Safety chains

### Options

- Wireless remote control
- 1828 mm (72") side box
- 2590 mm (102") Wide bed
- Frame forks
- Wheel lift receivers for single / double tires
- Removable rails
- Full recovery tool package
- Custom storage system
- Front push bumper
- XP, X-shape side puller
- In cab controls
- Full size LED light bar
- LED - working lights, strobe lights, lights inside toolbox
- Custom painting
- Installation services and extended warranty
- Tow operators education & training





NOTE: Axle configuration is subject to local laws and regulations. All information in this document is for reference purposes only. Optional configuration might be shown.

### Underlift Specifications

Retracted capacity	<b>1.8 ton (4,000 lbs.)</b>
Extended capacity	<b>0.9 ton (2,000 lbs.)</b>
Tilt angle negative	<b>-15°</b>
Tow Rating	<b>4.5 ton (10,000 lbs)</b>

### Deck Specifications

Deck length	<b>5943 mm (19.5')</b>
Deck rating	<b>3.6 ton (8,000 lbs)</b>
Deck Tilt Angle	<b>15°</b>

### Vehicle Recommendations

Front axle(s) weight (min)	<b>3.1 ton (7,000 lbs)</b>
Rear axle(s) weight (min)	<b>6.1 ton (13,500 lbs)</b>
Recommended tire size	<b>R 19.5 Low profile</b>
Clear CA	<b>3353 mm (132")</b>

### Winch Specifications

Quantity	<b>1 pcs</b>
Pulling force (on 1st layer)	<b>4 ton (8,800 lbs)</b>
Winch type	<b>Worm gear</b>
Cable length	<b>10 mm x 30 m (3/8" x 100')</b>

### Notes:

- Some optional equipment may be shown.
- All ratings are based on structural and design factors only. Vehicle chassis capacity and capabilities can vary significantly, affecting the overall performance and rating of the unit. All chassis specifications are minimums, heavier specifications may be required depending on chassis and equipment weights. Please contact your nearest distributor for additional information.

Metro Tow Trucks Ltd. reserves the right to change, improve or modify products, which may change the specifications, models and feature availability at any time without notice and without obligation. Please contact your nearest distributor for additional information.

© Metro Tow Trucks Ltd. All rights reserved. This material may not be reproduced, displayed, modified or distributed without the express prior written permission of the copyright holder. For permission, contact Sales@MetroTowTrucks.com

### Metro Tow Trucks

**E-mail:** Sales@MetroTowTrucks.com

**Toll Free (North America):** 1-866-924-1675

**Direct:** +1-613-223-0139

**Address:** 2759 Lancaster Road,  
Ottawa, Ontario, Canada, K1B 4V8