



Getting Serious

With a 9 ton rating, the FB-15 is a serious worker. There's no need to refuse calls for heavier trucks anymore, you should be able to pick it up with the FB-15.

Standard features

- Choose your deck length from 6705 mm (22') to 9144 mm (30')
- Standard width of 2463 mm (97")
- One 914 mm (36") side toolbox
- Independent light pylon
- Chrome door handle
- Driver and passenger side manual controls
- Safety chains

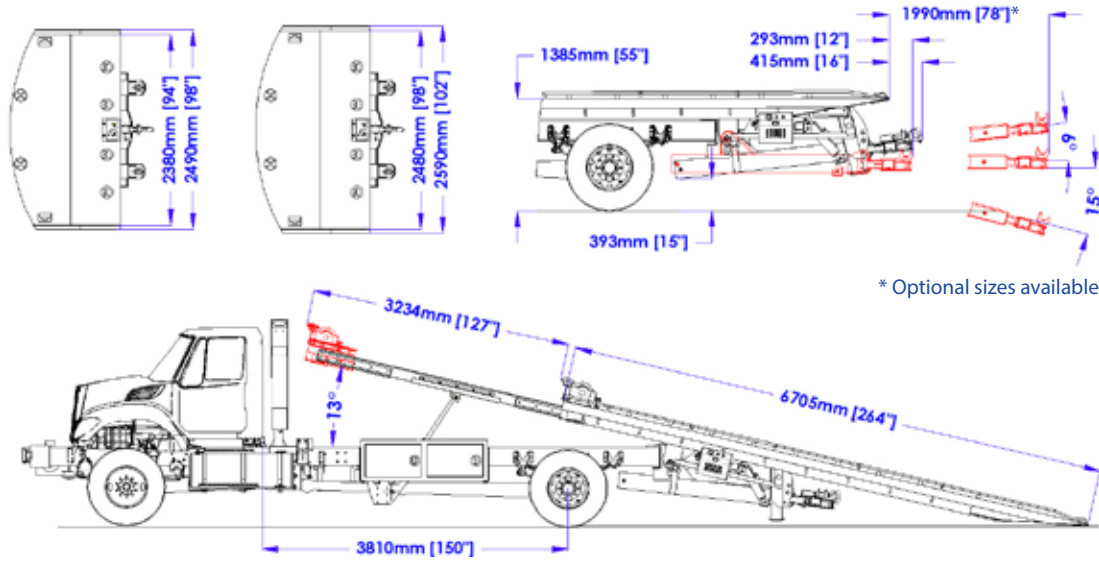
Options

- Wireless remote control
- 1828 mm (72") side box
- 2590 mm (102") Wide bed
- Frame forks
- Wheel lift receivers for single / double tires
- Removable rails
- Full recovery tool package
- Custom storage system
- Front push bumper
- XP, X-shape side puller
- In cab controls
- Full size LED light bar
- LED - working lights, strobe lights, lights inside toolbox
- Custom painting
- Installation services and extended warranty
- Tow operators education & training



Minimum cab to axle clearance by deck length

6705 mm (22')	3810 mm (150")
7010 mm (23')	3962 mm (156")
7315 mm (24')	4216 mm (166")
7620 mm (25')	4318 mm (170")
7924 mm (26')	4622 mm (174")
8534 mm (28')	4826 mm (190")
8839 mm (29')	5029 mm (198")
9144 mm (30')	5232 mm (206")



* Optional sizes available

NOTE: Axle configuration is subject to local laws and regulations. All information in this document is for reference purposes only. Optional configuration might be shown.

Underlift Specifications

Retracted capacity	8.1 ton (18,000 lbs.)
Extended capacity	4 ton (9,000 lbs.)
Tilt angle negative	-14.6°
Tow Rating	4.5 ton (10,000 lbs)

Deck Specifications

Deck length	6705 mm (22') to 9144 mm (30')
Deck rating	9 ton (20,000 lbs.)
Deck Tilt Angle	13°

Vehicle Recommendations

Front axle(s) weight (min)	5.4 ton (12,000 lbs)
Rear axle(s) weight (min)	10.4 ton (23,000 lbs)
Recommended tire size	11 R 22.5
Clear CA	See table

Winch Specifications

Quantity	1 pcs
Pulling force (on 1st layer)	10 ton (22,000 lbs)
Winch type	Planetary Gear
Cable length	16 mm x 30 m (5/8" x 100')

Notes:

- Some optional equipment may be shown.
- All ratings are based on structural and design factors only. Vehicle chassis capacity and capabilities can vary significantly, affecting the overall performance and rating of the unit. All chassis specifications are minimums, heavier specifications may be required depending on chassis and equipment weights. Please contact your nearest distributor for additional information.

Metro Tow Trucks Ltd. reserves the right to change, improve or modify products, which may change the specifications, models and feature availability at any time without notice and without obligation. Please contact your nearest distributor for additional information.

© Metro Tow Trucks Ltd. All rights reserved. This material may not be reproduced, displayed, modified or distributed without the express prior written permission of the copyright holder. For permission, contact Sales@MetroTowTrucks.com

Metro Tow Trucks

E-mail: Sales@MetroTowTrucks.com

Toll Free (North America): 1-866-924-1675

Direct: +1-613-223-0139

Address: 2759 Lancaster Road,
Ottawa, Ontario, Canada, K1B 4V8