



Perfect Balance

Our FB-10 is a great way to add versatile trucks to your fleet at a low price. The 4.5 ton capacity will give you much more capacity than a typical flatbed. It will allow you to carry medium duty trucks with ease.

Standard features

- Choose your deck length from 5486 mm (18') to 6705 mm (22')
- Standard width of 2463 mm (97")
- One 914 mm (36") side toolbox
- Independent light pylon
- Chrome door handle
- Driver and passenger side manual controls
- Safety chains

Options

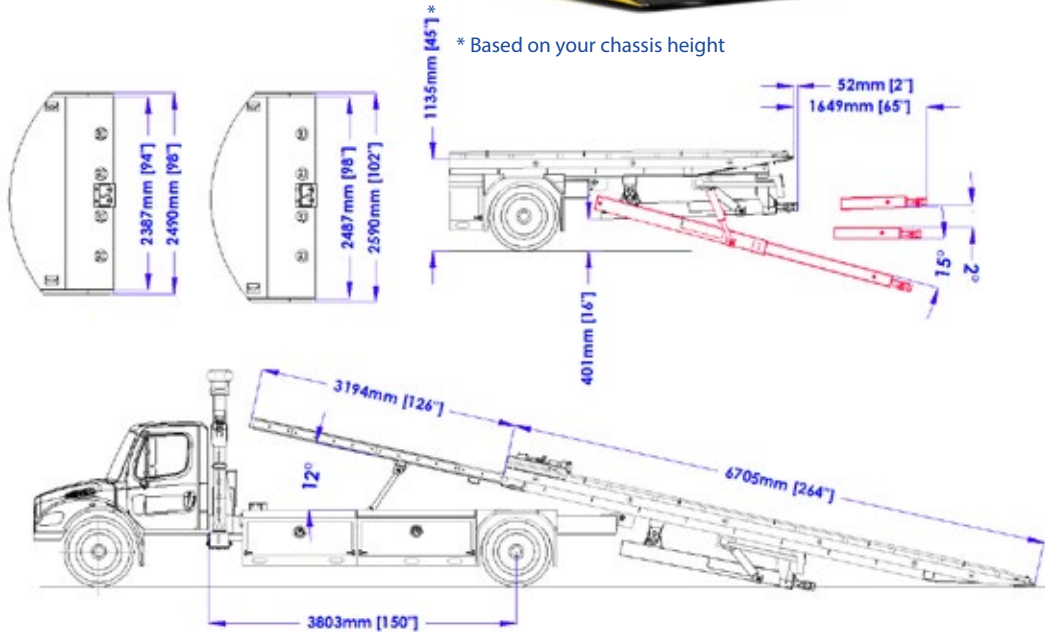
- Wireless remote control
- 1828 mm (72") side box
- 2590 mm (102") Wide bed
- Frame forks
- Wheel lift receivers for single / double tires
- Removable rails
- Full recovery tool package
- Custom storage system
- Front push bumper
- XP, X-shape side puller
- In cab controls
- Full size LED light bar
- LED - working lights, strobe lights, lights inside toolbox
- Custom painting
- Installation services and extended warranty
- Tow operators education & training



Reference Table

Minimum cab to axle clearance by deck length

6248 mm (20.5')	3352 mm (132")
6400 mm (21')	3505 mm (138")
6553 mm (21.5')	3657 mm (144")
6705 mm (22')	3810 mm (150")



NOTE: Axle configuration is subject to local laws and regulations. All information in this document is for reference purposes only. Optional configuration might be shown.

Underlift Specifications

Retracted capacity	2.7 ton (6,000 lbs.)
Extended capacity	1.4 ton (3,000 lbs.)
Tilt angle negative	-15°
Tow Rating	4.5 ton (10,000 lbs)

Deck Specifications

Deck length	5486 mm (18') to 6705 mm (22')
Deck rating	4.5 ton (10,000 lbs)
Deck Tilt Angle	12°

Vehicle Recommendations

Front axle(s) weight (min)	3.6 ton (8,000 lbs) to 8.6 ton (19,000 lbs)
Rear axle(s) weight (min)	6.1 ton (13,500 lbs) to 8.6 ton (19,000 lbs)
Recommended tire size	R 19.5 Low profile
Clear CA	See table

Winch Specifications

Quantity	1 pcs
Pulling force (on 1st layer)	5.4 ton (12,000 lbs)
Winch type	Worm Gear
Cable length	10 mm x 30 m (3/8" x 100')

Notes:

- Some optional equipment may be shown.
- All ratings are based on structural and design factors only. Vehicle chassis capacity and capabilities can vary significantly, affecting the overall performance and rating of the unit. All chassis specifications are minimums, heavier specifications may be required depending on chassis and equipment weights. Please contact your nearest distributor for additional information.

Metro Tow Trucks Ltd. reserves the right to change, improve or modify products, which may change the specifications, models and feature availability at any time without notice and without obligation. Please contact your nearest distributor for additional information.

© Metro Tow Trucks Ltd. All rights reserved. This material may not be reproduced, displayed, modified or distributed without the express prior written permission of the copyright holder. For permission, contact Sales@MetroTowTrucks.com

Metro Tow Trucks

E-mail: Sales@MetroTowTrucks.com

Toll Free (North America): 1-866-924-1675

Direct: +1-613-223-0139

Address: 2759 Lancaster Road,
Ottawa, Ontario, Canada, K1B 4V8